

Achievements

Enjoy



E-Power



POWERTRAIN
Top speed transmission without limitation



Head Office Contact Information
No.6. Tongke 6th Road., Tongluo Township,
Miaoli County 366, Taiwan (R.O.C.)
Tel:+886-37-980799
Fax:+886-37-980709
Email:export@fukuta-motor.com.tw
Sales and Product Inquiries:+886-4-25159568 #2122

New Taipei Office
5F., No.142, Sec. 2, Ren'ai Rd., Linkou Dist., New Taipei
City 244, Taiwan (R.O.C.)

Tainan Office
1F., No. 1, Ln. 201, Guangming St., East Dist., Tainan
City 701, Taiwan (R.O.C.)

Sales Office in Japan
YTK Co.,Ltd
Tel:+81-06-7662-8687
Fax:+81-06-6777-7941
Email : info@ytk-group.co.jp
Website : http://www.ytk-group.co.jp

Feng Zhou Plant
No. 2-1, Ln. 301, Fengzhou Rd., Shengang Dist.,
Taichung City, Taiwan, 429

Feng Gong Plant
No. 18, Fenggong S. Rd., Shengang Dist.,
Taichung City 429, Taiwan (R.O.C.)



EV MOTOR



CONTACT US



ISO 14001:2015

IATF16949:2016

QC 080000

About Us

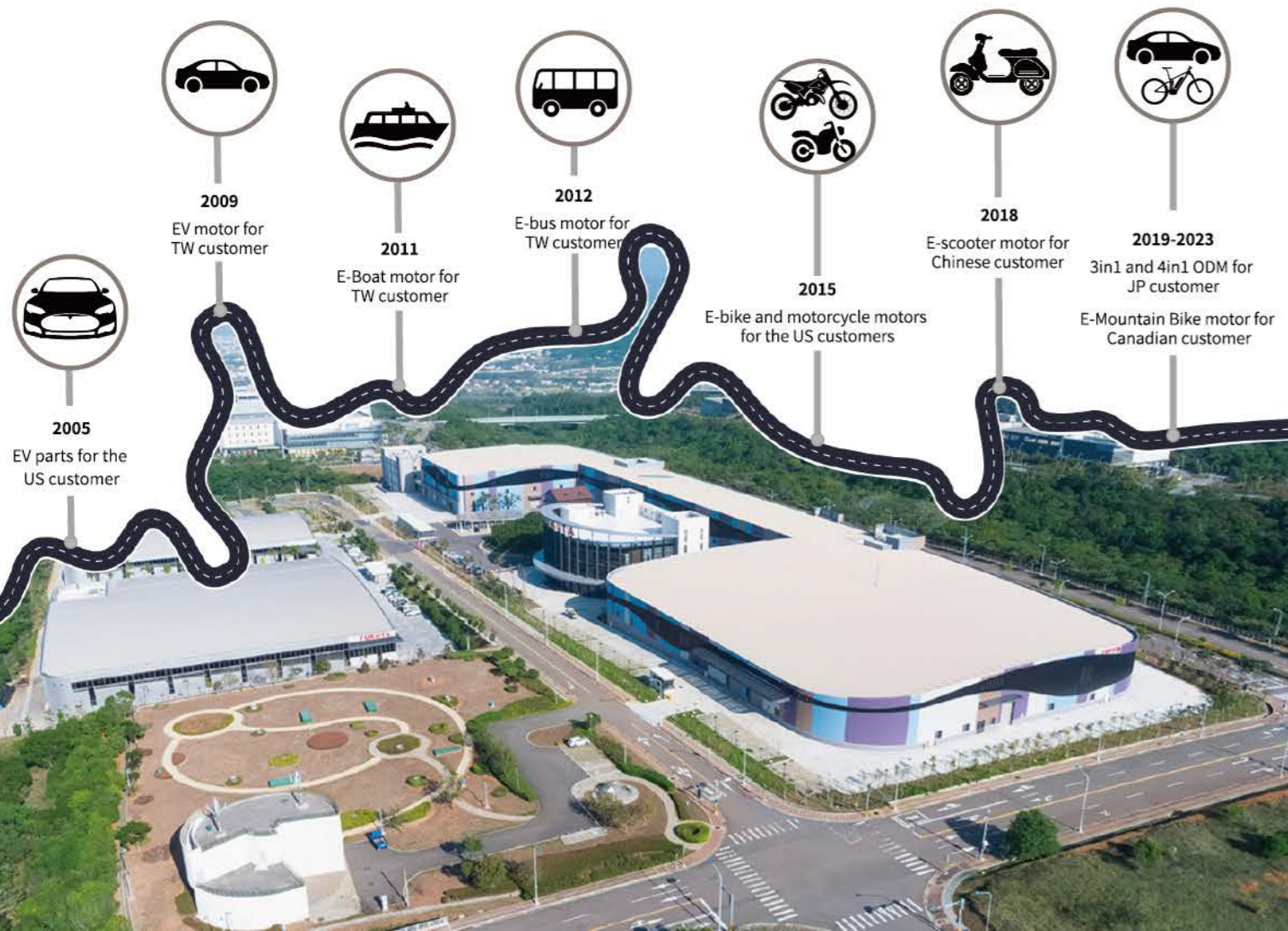
Established: 1988

President: Mr. Gordon Chang

Capital: NT\$450,000,000 (1.5 million USD)

No. of Employee: 500+

Facility Area: 91,135m²



POWERTRAIN EV MOTOR DRIVE GEARBOX

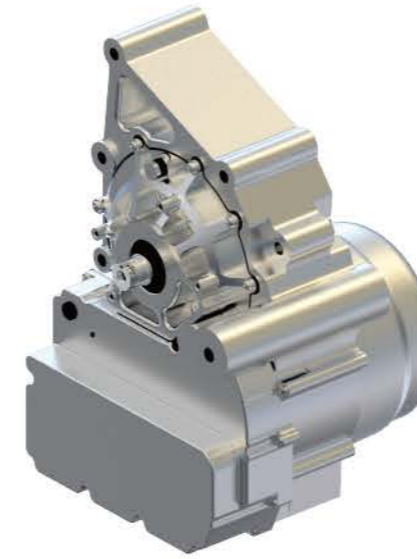
Motorcycle, Snowmobile

Applications



Specification

Type	P35	P6.5
	Three in one	Two in one
Rated/Peak Output (kW)	12.5/30	6.5/8
Rated/Peak Torque (Nm)	14.3/35.5	31/56.5
Rated/Peak Speed (RPM)	8000/15000	2000/3600



EV

Applications



Specification

Type	P180	P260	P350
Rated/Peak Output (kW)	45/150	65/260	100/350
Rated/Peak Torque (Nm)	53.7/178.9	103.5/413.9	159/556.6
Rated/Peak Speed (RPM)	6000/18000	6000/16000	6000/16000



EV MOTORS IM SERIES - ECIW

kW	3.5~180
Peak kW	10.5~360
Rating RPM	2000~6000
Max RPM	4000~15000
Rating Torque (Nm)	5.6~859.4
Max Torque (Nm)	16.7~1718.9
Weight (kg)	15~320



MOTOR PART



Lamination range :
Thickness: 0.2 ~ 0.50mm
OD: Φ100 ~ Φ260mm



Winding



Motor rotor

Dynamics Laboratory

